

- FEATURES:**
- ROOF MOUNTED FANS.
 - UL705.
 - UL762 AND ULC-S645 (RESTAURANT MODEL).
 - HIGH HEAT OPERATION DIRECT DRIVE 350°F (176°C).
 - HEAT SLINGER.
 - NEMA 3R SAFETY DISCONNECT SWITCH.
 - GREASE CLASSIFICATION TESTING.
 - 2" DRAIN.
 - MOTOR WEATHER COVER.
 - FULLY SEALED SCROLL HOUSING.
 - SCROLL ACCESS DOOR.
 - FLANGE 1 1/4".

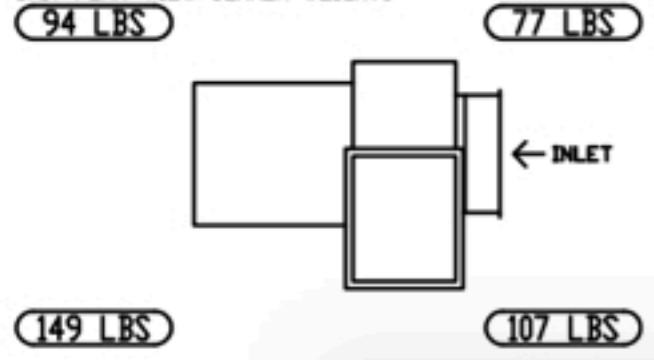
- OPTIONS**
- BI20 - 24" DISCHARGE EXTENSION.
 - BI - DISCHARGE ORIENTATION VERTICAL UPPER LEFT - CW INLET SIDE.
 - BI20 - INLET CONNECTION STANDARD 20" FLANGED GREASE DUCT.
 - VAV PACKAGE W/ MANUAL CONTROL (VFD INCLUDED).
 - VFD FACTORY MOUNTED AND WIRED IN EXHAUST FAN.
 - 2 YEAR PARTS WARRANTY.

CONTACT US 1-866-548-9274
info@easykitchenhood.com

INLET/OUTLET NOTES:
LENGTH OF THE STRAIGHT DUCT ON THE INLET AND OUTLET TO BE 3 TIMES THE EQUIVALENT DUCT DIAMETER BEFORE CONNECTING TO ANY FITTINGS SUCH AS ELBOWS TO AVOID SYSTEM EFFECT.

NORMAL TEMPERATURE TEST DIRECT DRIVE EXHAUST FAN MUST OPERATE CONTINUOUSLY WHILE EXHAUSTING AIR AT 350°F (176°C) UNTIL ALL FAN PARTS HAVE REACHED THERMAL EQUILIBRIUM, AND WITHOUT ANY DETERIORATING EFFECTS TO THE FAN WHICH WOULD CAUSE UNSAFE OPERATION.

UNIT PLAN VIEW CORNER WEIGHTS:



CORNER WEIGHTS ARE CALCULATED BASED SUPPORT DUCT PROPERLY BEFORE FAN TO ARE NOT AFFECTED.



LOCATION , 0	
DATE 8/18/2021	JOB # 5038595
DWG # 1	DRAWN BY
REV.	SCALE 3/8" = 1'-0"