

FEATURES:

- DIRECT DRIVE CONSTRUCTION (NO BELTS/PULLEYS).
- ROOF MOUNTED FANS.
- RESTAURANT MODEL.
- UL705
- VARIABLE SPEED CONTROL.
- INTERNAL WIRING.
- THERMAL OVERLOAD PROTECTION (SINGLE PHASE).
- HIGH HEAT OPERATION 300°F (149°C).

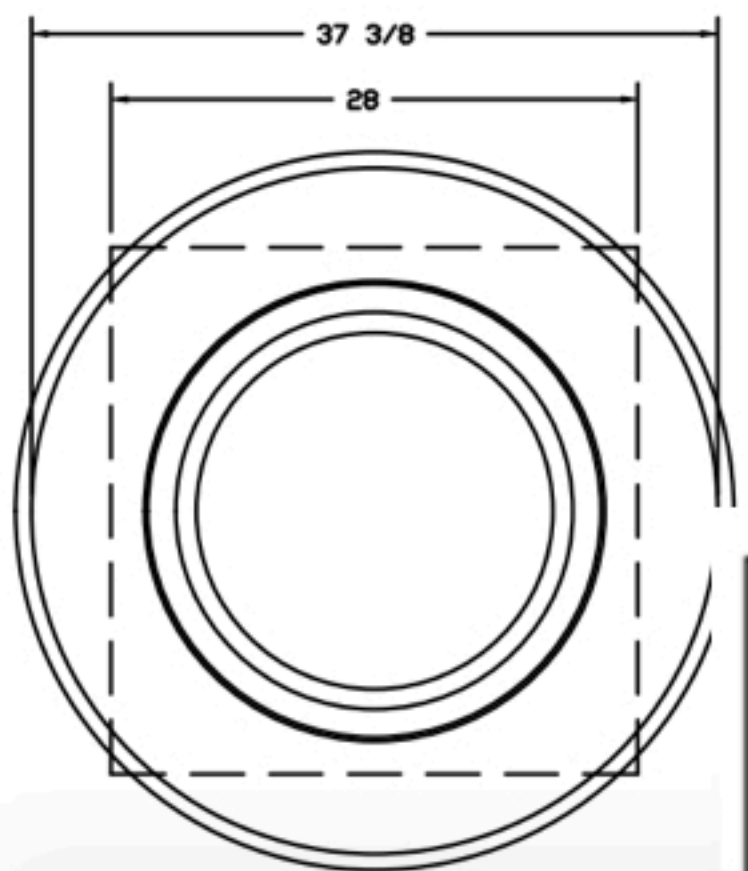
- NEMA 3R SAFETY DISCONNECT SWITCH.

NORMAL TEMPERATURE TEST
 EXHAUST FAN MUST OPERATE CONTINUOUSLY WHILE EXHAUSTING AIR AT 300°F (149°C) UNTIL ALL FAN PARTS HAVE REACHED THERMAL EQUILIBRIUM, AND WITHOUT ANY DETERIORATING EFFECTS TO THE FAN WHICH WOULD CAUSE UNSAFE OPERATION.

OPTIONS

- VAV PACKAGE W/ MANUAL CONTROL (VFD INCLUDED).
- VFD FACTORY MOUNTED AND WIRED IN EXHAUST FAN.
- VFD MOUNTING BRACKET FOR DU/DR 180 - 200.
- EXHAUST FAN HEAT BAFFLE.
- 2 YEAR PARTS WARRANTY.

CONTACT US 1-866-548-9274
 info@easykitchenhood.com



		
--	---	--

LOCATION , 0	
DATE 8/18/2021	JOB # 5038595
DWG # 1	DRAWN BY
REV.	SCALE 3/8' = 1'-0'