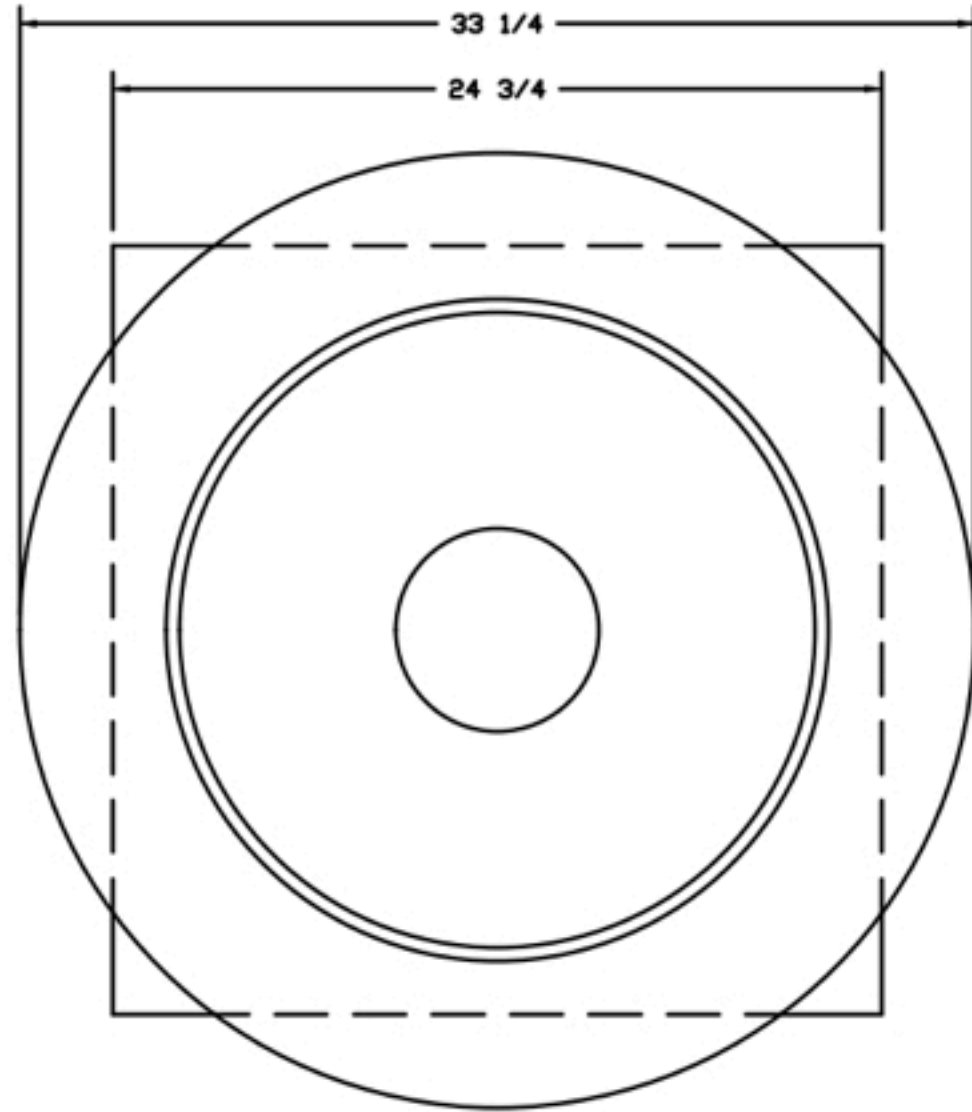
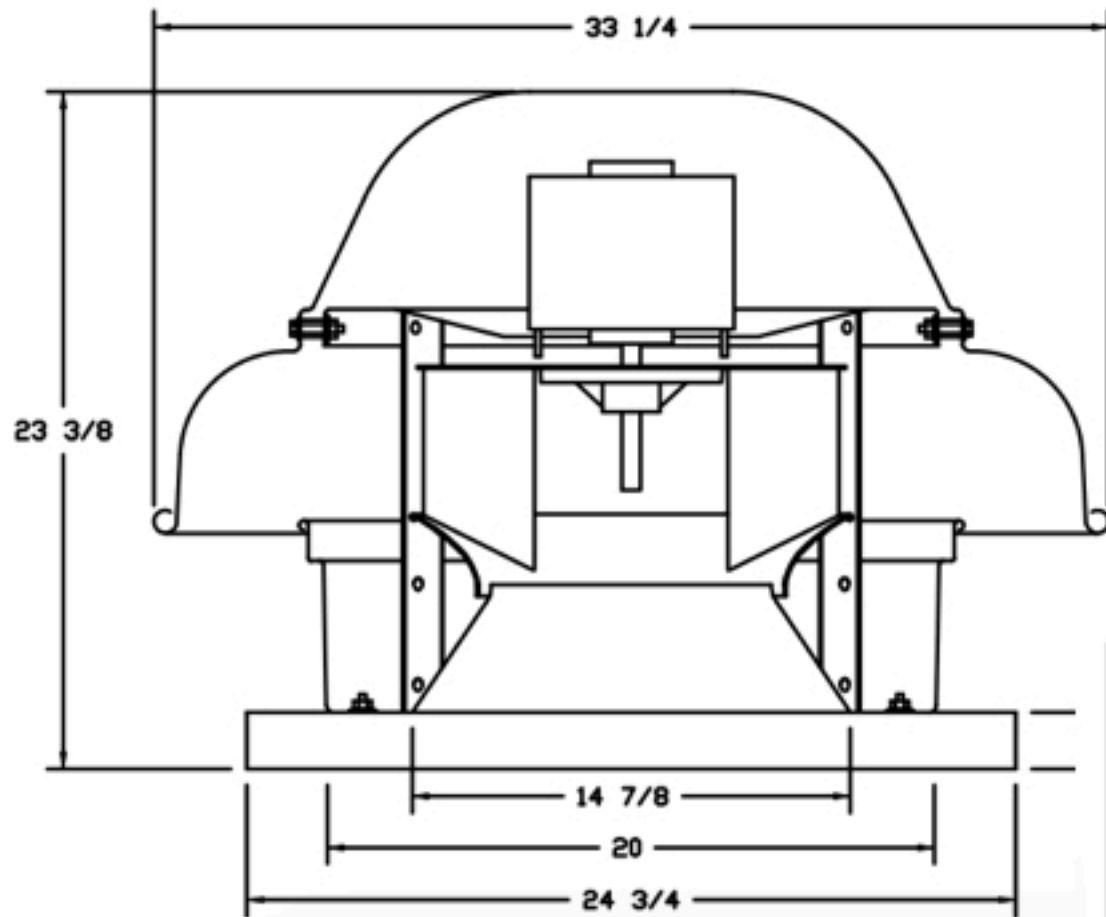


FAN #14 DR85H - EXHAUST FAN



TOP VIEW



FEATURES:

- DIRECT DRIVE CONSTRUCTION (NO BELTS/PULLEYS).
- ROOF MOUNTED FANS.
- UL705.
- SAFETY DISCONNECT.
- STANDARD BIRD SCREEN.
- SPEED CONTROL.

OPTIONS

2 YEAR PARTS WARRANTY.

CONTACT US 1-866-548-9274  
 info@easykitchenhood.com



LOCATION , 0	
DATE 8/18/2021	JOB # 5038595
DWG # 1	DRAWN BY
REV.	SCALE 3/8' = 1'-0'